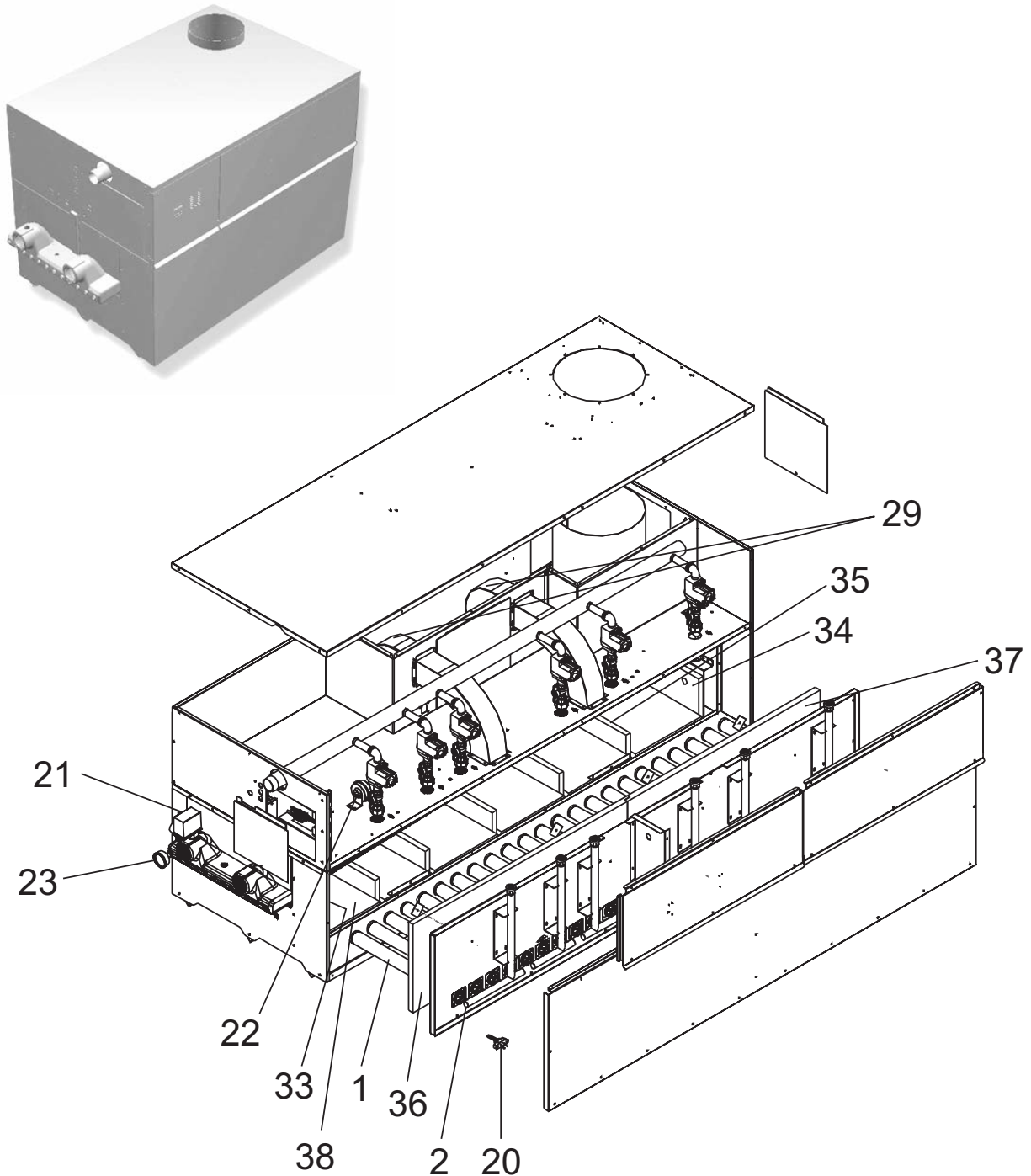




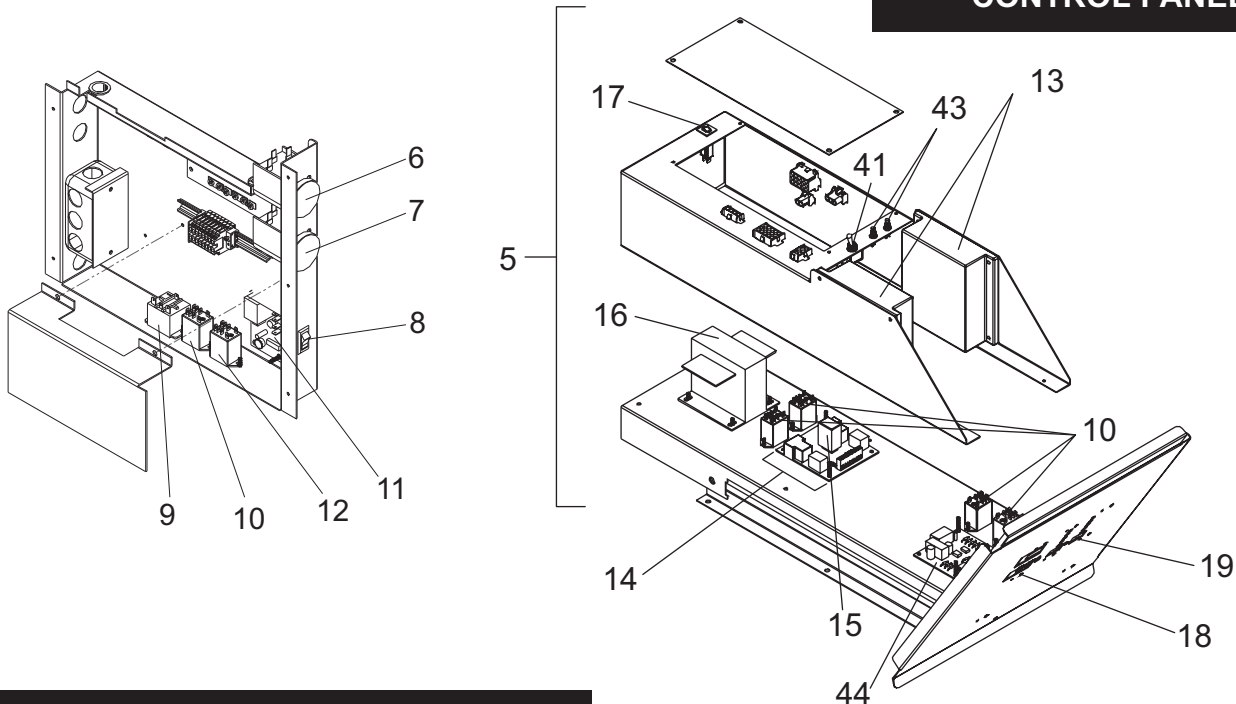
**PARTS AND SERVICE DEPARTMENT**  
 Nashville, Tennessee  
 615-889-8900 • Fax: 615-547-1000  
 www.Lochinvar.com

## Replacement Parts List

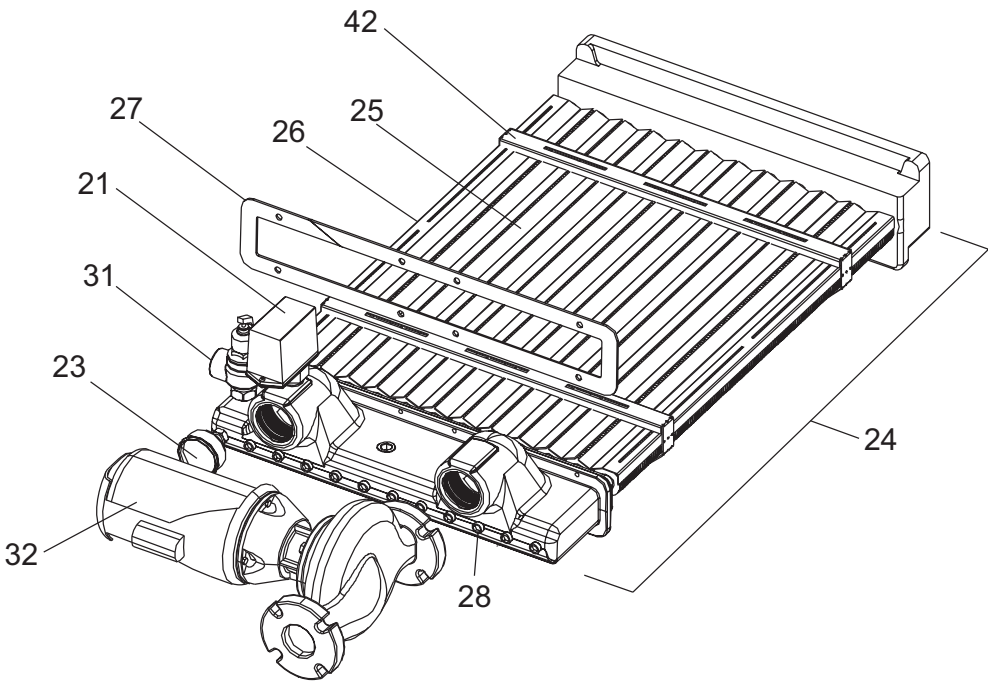
### Copper-Fin II® Boilers & Water Heaters CH – CF 991-2071



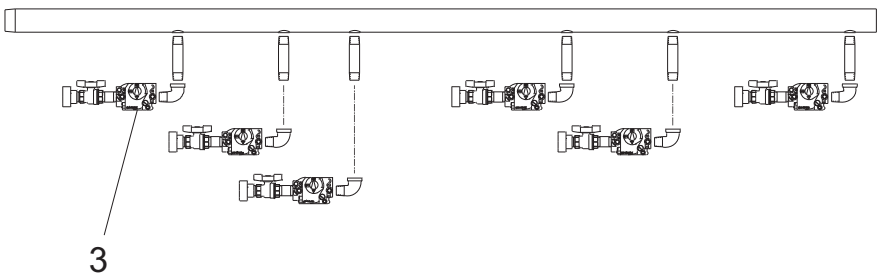
**CONTROL PANEL**



**HEAT EXCHANGER ASSEMBLY**



**GAS TRAIN**



| ITEM NO.  | PART NO.   | DESCRIPTION   | MODEL NO.       |
|---|--|---|-----------------|
| <b>BURNERS</b>  |  |   |                 |
| 1   | BNR3422 MAIN BURNER.<br>*BNR3423 MAIN BURNER W/ BARB PRESSURE TAP.<br>*BEFORE SERIAL # E05H00176040.<br>**BNR3430 IS MAIN BURNER W/ COMP. TAP.<br>**AFTER SERIAL # E05H00176040. | <b>Model</b>  | <b>BNR3422</b>  |
|   |  | 991   | 9 ea            |
|   |  | 1261  | 12 ea           |
|   |  | 1441  | 14 ea           |
|   |  | 1801  | 18 ea           |
|   |  | 2071  | 21 ea           |
| <b>GAS TRAIN ASSEMBLIES</b>   |  |   |                 |
| 2   | ORF2421  | ORIFICE, NAT  | C(F,H)N991-2071 |
| 2   | ORF2418  | ORIFICE, LP   | C(F,H)L991-2071 |
| 3   | VAL2076  | GAS VALVE, NAT  | C(F,H)N991-2071 |
| 3   | VAL2413  | GAS VALVE, LP   | C(F,H)L991-2071 |
| 4   | VAL2421  | BALL VALVE  | ALL             |
| <b>CONTROLS &amp; GAUGES</b>  |  |   |                 |
| 5   | PAN3008  | CONTROL BOARD   | ALL             |
| 6   | HLC2701  | HIGH LIMIT (Optional)                                 | ALL             |
| 7   | HLC2702  | MANUAL RESET HIGH LIMIT                               | ALL             |
| 8   | SWT2002  | ON/OFF SWITCH   | ALL             |
| 9   | RLY2708  | 24V RELAY   | ALL             |
| 10  | RLY2903  | 24V RELAY   | ALL             |
| 11  | RLY2714  | TIME DELAY RELAY                                      | ALL             |
| 12  | RLY2051  | RELAY   | ALL             |
| 13  | RLY2402  | IGNITION MODULE                                       | ALL             |
| 14  | RLY2049  | RELAY BOARD   | ALL             |
| 15  | RLY2050  | RELAY   | ALL             |
| 16  | TRF2701  | TRANSFORMER 150VA                                     | ALL             |
| 17  | MSC2447  | CIRCUIT BREAKER 7AMP                                  | ALL             |
| 18  | RLY2046  | ELECTRONIC CONTROL (991 BEFORE SERIAL # A05H00173023) | 1261-2071       |
| 18  | RLY2083  | ELECTRONIC CONTROL AFTER SERIAL # A05H00173023        | 991             |
| -   | TST2313  | TEMPERATURE SENSOR                                    | ALL             |
| 19  | RLY2044  | INDICATOR PANEL                                       | ALL             |
| 20  | PLT3400  | HOT SURFACE IGNITOR                                   | ALL             |
| 21  | WTR2041  | FLOW SWITCH   | ALL             |
| 22  | PRS2422  | PRESSURE SWITCH, NAT BEFORE SERIAL #E05H00176040      | 991-1261        |
| 22  | PRS2014  | PRESSURE SWITCH, NAT AFTER SERIAL #E05H00176040       | 991-1261        |
| 22  | PRS2426  | PRESSURE SWITCH, NAT BEFORE SERIAL #E05H00176040      | 1441-2071       |
| 22  | PRS2013  | PRESSURE SWITCH, NAT AFTER SERIAL #E05H00176040       | 1441-2071       |
| 22  | PRS2010  | PRESSURE SWITCH, L.P. BEFORE SERIAL #E05H00176040     | 991-2071        |
| 22  | PRS2013  | PRESSURE SWITCH, L.P. AFTER SERIAL #E05H00176040      | 991-2071        |
| 23  | GTP2900  | PRESSURE ,TEMP. GAUGE                                 | CH991-2071      |
| 23  | GTP3000  | GAUGE, TEMPERATURE                                    | CF991-2071      |
| <b>HEAT EXCHANGERS</b>  |  |   |                 |
| 24  | HEX3000  | HEAT EXCHANGER  | CF991           |
| 24  | HEX3001  | HEAT EXCHANGER  | CF1261          |
| 24  | HEX3002  | HEAT EXCHANGER  | CF1441          |
| 24  | HEX3003  | HEAT EXCHANGER  | CF1801          |
| 24  | HEX3004  | HEAT EXCHANGER  | CF2071          |
| 24  | HEX3420  | HEAT EXCHANGER  | CH991           |
| 24  | HEX3421  | HEAT EXCHANGER  | CH1261          |
| 24  | HEX3422  | HEAT EXCHANGER  | CH1441          |
| 24  | HEX3423  | HEAT EXCHANGER  | CH1801          |
| 24  | HEX3424  | HEAT EXCHANGER  | CH2071          |
| 25  | JKE6078  | V-BAFFLE  | 991             |
| 25  | JKE6079  | V-BAFFLE  | 1261            |
| 25  | JKE6080  | V-BAFFLE  | 1441            |
| 25  | JKE6081  | V-BAFFLE  | 1801            |
| 25  | JKE6082  | V-BAFFLE  | 2071            |
| 26  | JKE6159  | FRAME RUNNER  | 991             |
| 26  | JKE6160  | FRAME RUNNER  | 1261            |
| 26  | JKE6161  | FRAME RUNNER  | 1441            |
| 26  | JKE6162  | FRAME RUNNER  | 1801            |
| 26  | JKE6163  | FRAME RUNNER  | 2071            |
| 27  | GKT2418  | HEAT SHIELD GASKET                                    | ALL             |
| 28  | TST2300  | BULBWELL  | ALL             |
| <b>NOTE: CH = BOILER, CF = WATER HEATER</b>                           |  |   |                 |
| <b>PLEASE HAVE MODEL NUMBER AND SERIAL NUMBER WHEN ORDERING PARTS</b> |  |   |                 |

| ITEM NO.  | PART NO.   | DESCRIPTION   | MODEL NO.  |
|---|------------|---|------------|
| <b>MISCELLANEOUS</b>  |            |   |            |
| 29  | FAN2009    | FAN ASSEMBLY  | 991-1261   |
| 29  | FAN2010    | FAN ASSEMBLY  | 1441-2071  |
| 30  | JKE6411    | AIR SHUTTER   | ALL        |
| 31  | RLV2001    | RELIEF VALVE, PRESSURE ONLY                                       | CH991-2071 |
| 31  | RLV2017    | RELIEF VALVE, TEMPERATURE & PRESSURE                              | CF991-2071 |
| 32  | ARM3024PAB | PUMP  | CF991-2071 |
| 41  | MSC2527    | TOGGLE SWITCH (MANUAL RESET HI LIMIT)                             | ALL        |
| 42  | JKD6187    | FRAME END   | ALL        |
| 43  | MSC2726    | SWITCH (OPTIONAL)   | ALL        |
| 44  | WTR2530    | LOW WATER CUT-OFF, MANUAL RESET (OPTIONAL) PRIOR TO H08H00211349  | ALL        |
| 44  | WTR30000   | LOW WATER CUT-OFF, MANUAL RESET (OPTIONAL) BEGINNING H08H00211349 | ALL        |
| 44  | WTR2528    | LOW WATER CUT-OFF, AUTO RESET (OPTIONAL) PRIOR TO H08H00211349    | ALL        |
| 44  | WTR30001   | LOW WATER CUT-OFF, AUTO RESET (OPTIONAL) BEGINNING H08H00211349   | ALL        |
| -   | WTR2532    | LOW WATER CUT-OFF PROBE (OPTIONAL) PRIOR TO H08H00211349          | ALL        |
| -   | WTR2222    | LOW WATER CUT-OFF PROBE (OPTIONAL) BEGINNING H08H00211349         | ALL        |
| -   | WTR2533    | LOW WATER CUT-OFF BOOT (OPTIONAL) PRIOR TO H08H00211349           | ALL        |
| -   | WTR20000   | LOW WATER CUT-OFF BOOT (OPTIONAL) BEGINNING H08H00211349          | ALL        |
| -   | MSC3415    | SIGHT GLASS KIT   | ALL        |
| -   | GKT3408    | GASKET STRIP  | ALL        |
| -   | PRS2701    | PRESSURE ALUMINUM TAP   | ALL        |
| -   | TUB2002    | TUBING-AIR PRESSURE BEFORE SERIAL #E05H00176040                   | ALL        |
| -   | TUB2004    | TUBING-AIR PRESSURE AFTER SERIAL #E05H00176040                    | ALL        |
| -   | MSC2155    | TEE, AIR PRESSURE TUBE  | ALL        |
| -   | MSC2156    | TEE FITTING, CAP AIR PRESSURE TUBE                                | ALL        |
| -   | MSC2461    | TUBING SILICONE   | ALL        |
| -   | MSC2406    | TUBING-EPDM 1/8 I.D.  | ALL        |
| -   | MSC7119    | BULBWELL CLIP   | ALL        |
| -   | GKT2023    | TRANSITION GASKET   | ALL        |
| <b>LOCH-HEAT TILE</b>   |            |   |            |
| 33  | FIB2204    | FRONT, HEAD, SIDE, PANEL  | ALL        |
| 34  | FIB2205    | REAR, HEAD SIDE PANEL   | ALL        |
| 35  | FIB2228    | DIVIDER PANEL   | ALL        |
| 36  | FIB2202    | INSULATION PAD, FRONT   | 991        |
| 36  | FIB2210    | INSULATION PAD, FRONT   | 1261       |
| 36  | FIB2214    | INSULATION PAD, FRONT LEFT  | 1441       |
| 36  | FIB2220    | INSULATION PAD, FRONT LEFT  | 1801       |
| 36  | FIB2224    | INSULATION PAD, FRONT LEFT  | 2071       |
| 37  | FIB2215    | INSULATION PAD, FRONT RIGHT                                       | 1441       |
| 37  | FIB2221    | INSULATION PAD FRONT RIGHT  | 1801       |
| 37  | FIB2225    | INSULATION PAD, FRONT RIGHT                                       | 2071       |
| -   | FIB2203    | BACK PANEL  | 991        |
| -   | FIB2209    | BACK PANEL  | 1261       |
| -   | FIB2216    | BACK LEFT PANEL   | 1441       |
| -   | FIB2229    | BACK LEFT PANEL   | 1801       |
| -   | FIB2230    | BACK LEFT PANEL   | 2071       |
| -   | FIB2217    | BACK RIGHT PANEL  | 1441-2071  |
| -   | FIB2258    | INSULATION PAD, BACK  | 991-1441   |
| -   | FIB2260    | INSULATION PAD, BACK  | 1801-2071  |
| -   | FIB2257    | INSULATION PAD, TOP   | 991-1441   |
| -   | FIB2259    | INSULATION PAD, TOP   | 1801-2071  |
| -   | FIB2256    | INSULATION PAD, RIGHT SIDE  | ALL        |
| <b>LOCH-HEAT TILE BOTTOM PANELS</b>   |            |   |            |
| 38  | FIB2206    | BOTTOM PANEL POSITION 1*  | 991        |
| 38  | FIB2207    | BOTTOM PANEL POSITION 2*  | 991        |
| 38  | FIB2208    | BOTTOM PANEL POSITION 3*  | 991        |
| 38  | FIB2211    | BOTTOM PANEL POSITION 1*  | 1261       |
| 38  | FIB2212    | BOTTOM PANEL POSITION 2 & 3*                                      | 1261       |
| 38  | FIB2207    | BOTTOM PANEL POSITION 4*  | 1261       |
| 38  | FIB2218    | BOTTOM PANEL POSITION 1*  | 1441       |
| 38  | FIB2207    | BOTTOM PANEL POSITION 2 & 3*                                      | 1441       |
| 38  | FIB2219    | BOTTOM PANEL POSITION 4*  | 1441       |
| 38  | FIB2222    | BOTTOM PANEL POSITION 1*  | 1801       |
| 38  | FIB2207    | BOTTOM PANEL POSITION 2, 3, & 4*                                  | 1801       |
| 38  | FIB2223    | BOTTOM PANEL POSITION 5*  | 1801       |
| 38  | FIB2226    | BOTTOM PANEL POSITION 1*  | 2071       |
| 38  | FIB2212    | BOTTOM PANEL POSITION 2*  | 2071       |
| 38  | FIB2207    | BOTTOM PANEL POSITION 3, 4, & 5*                                  | 2071       |
| 38  | FIB2227    | BOTTOM PANEL POSITION 6*  | 2071       |
| *DENOTES PLACEMENT ORDER OF COMBUSTION CHAMBER BOTTOM TILE FROM LEFT TO RIGHT (FRONT TO REAR HEAT |            |   |            |
| <b>NOTE: CH = BOILER, CF = WATER HEATER</b>   |            |   |            |
| <b>PLEASE HAVE MODEL NUMBER AND SERIAL NUMBER WHEN ORDERING PARTS</b>                             |            |   |            |